



JDGA

GPS antennas for demanding requirements

JDGA QVA Quad V SMT Active GPS Antenna 14dB



Center Frequency	1575.MHz
Beam Width	>120 degrees
Impedance	50 ohm
Polarization	Linear (four quadrant)
Voltage	2.5-3.5Vdc
Current	7.5mA
Gain	14dB
Noise	0.7dB
Dimensions w/o radome	10 (dia) X 32 (L) mm
Dimensions with radome	13 (dia) X 36 (L) mm



JDGA 1411 E Campbell Rd Richardson TX 75081 972-699-9976 972-699-9977 (fax)

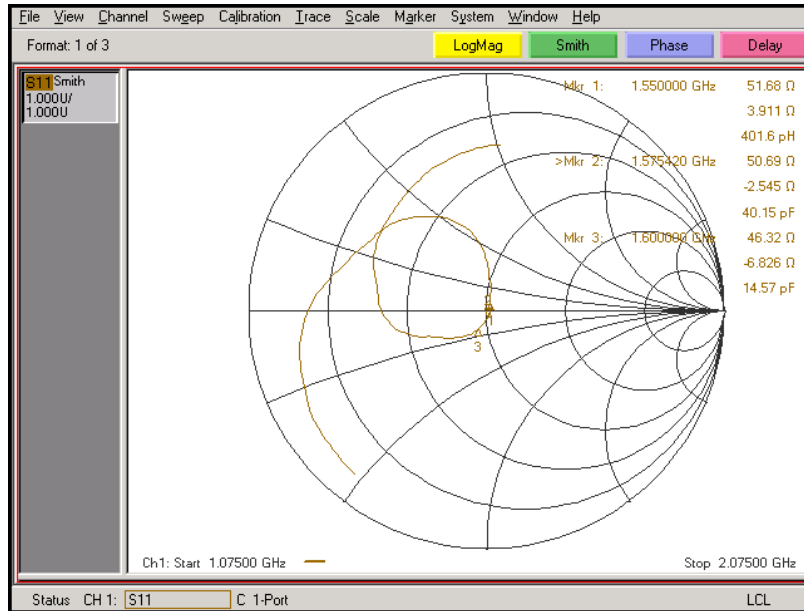
www.jdgagps.com



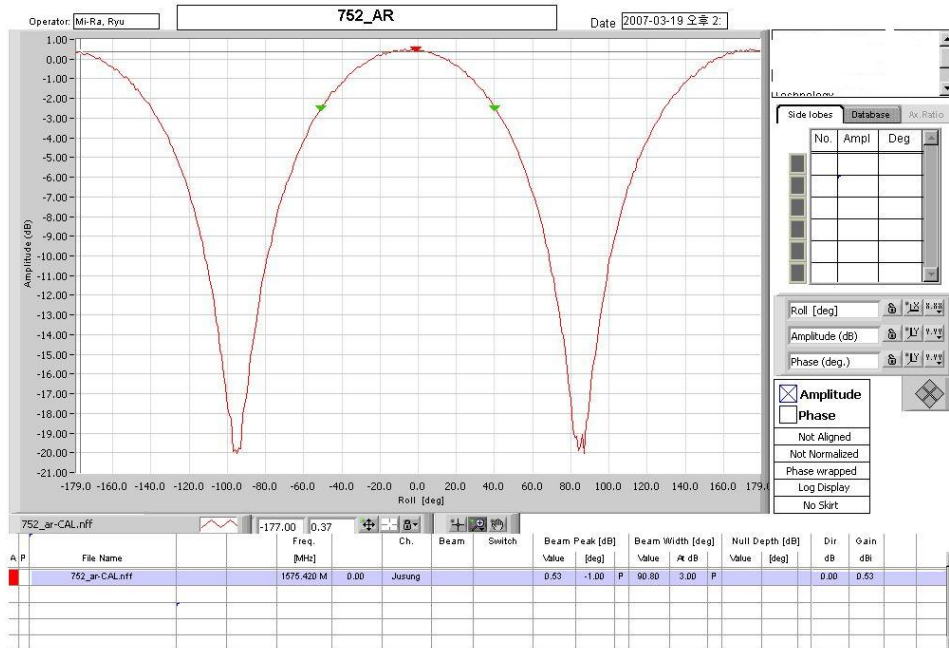
JDGA

GPS antennas for demanding requirements

Smith



Axis



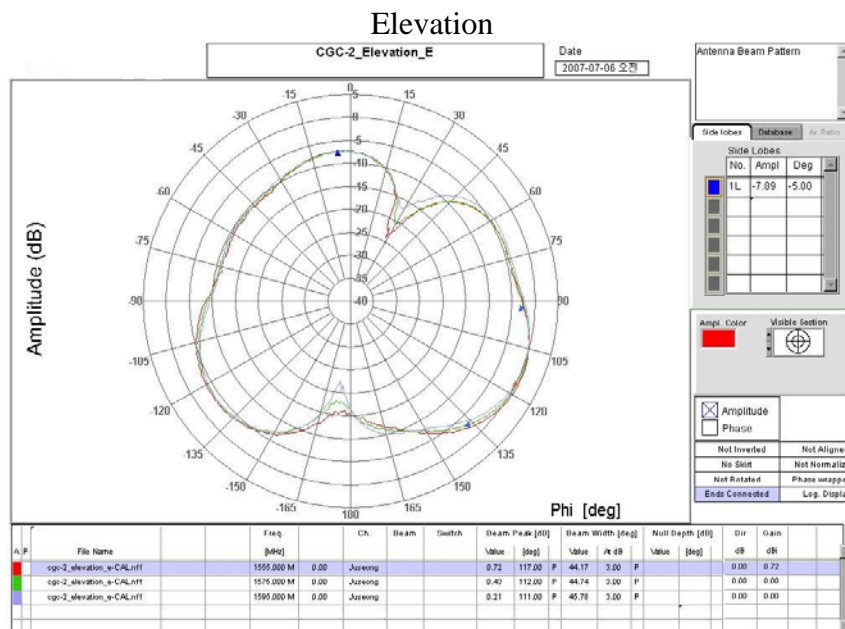
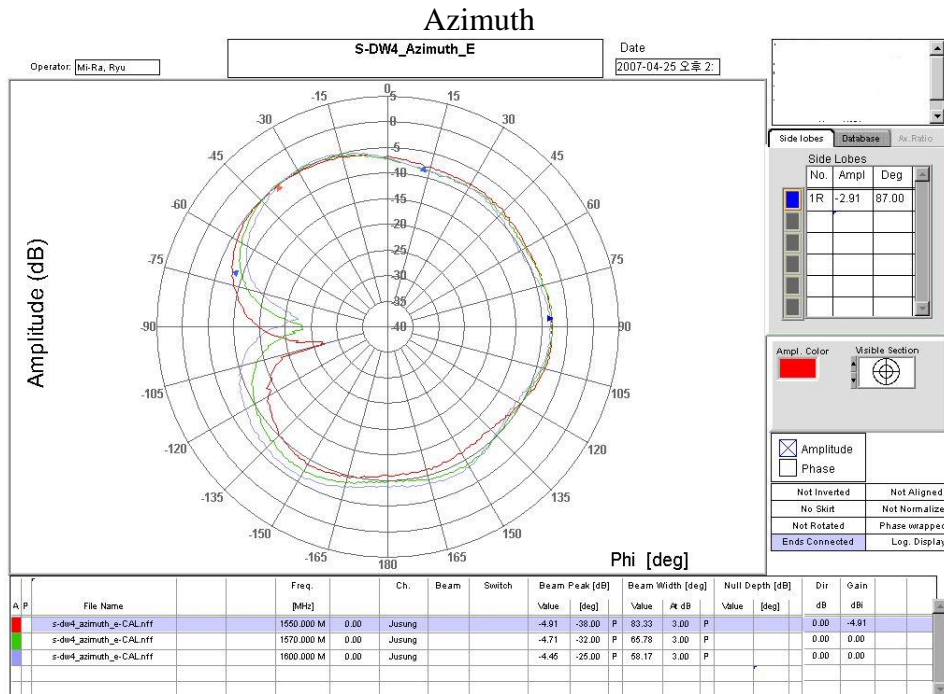
JDGA 1411 E Campbell Rd Richardson TX 75081 972-699-9976 972-699-9977 (fax)

www.idgagps.com



JDGA

GPS antennas for demanding requirements



JDGA 1411 E Campbell Rd Richardson TX 75081 972-699-9976 972-699-9977 (fax)

www.idgagps.com



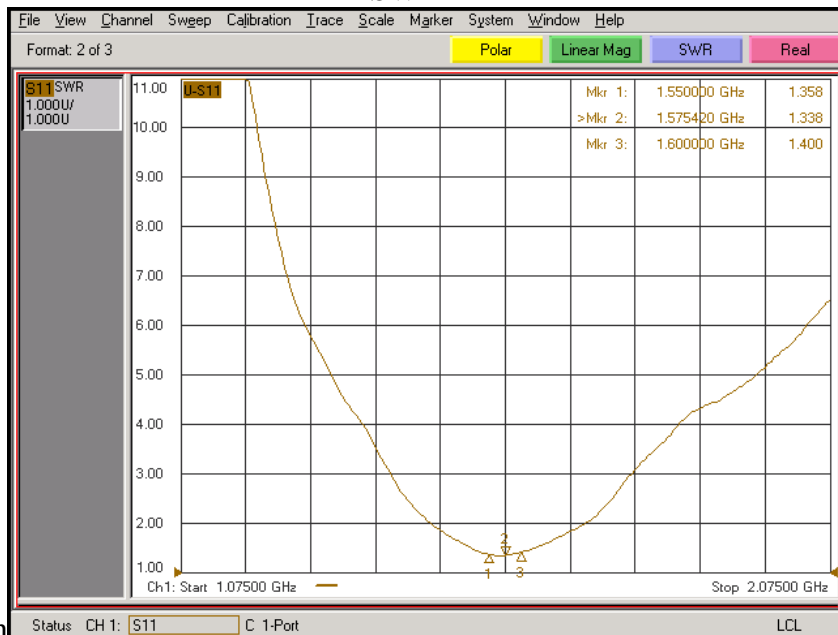
JDGA

GPS antennas for demanding requirements

Return Loss



SWR



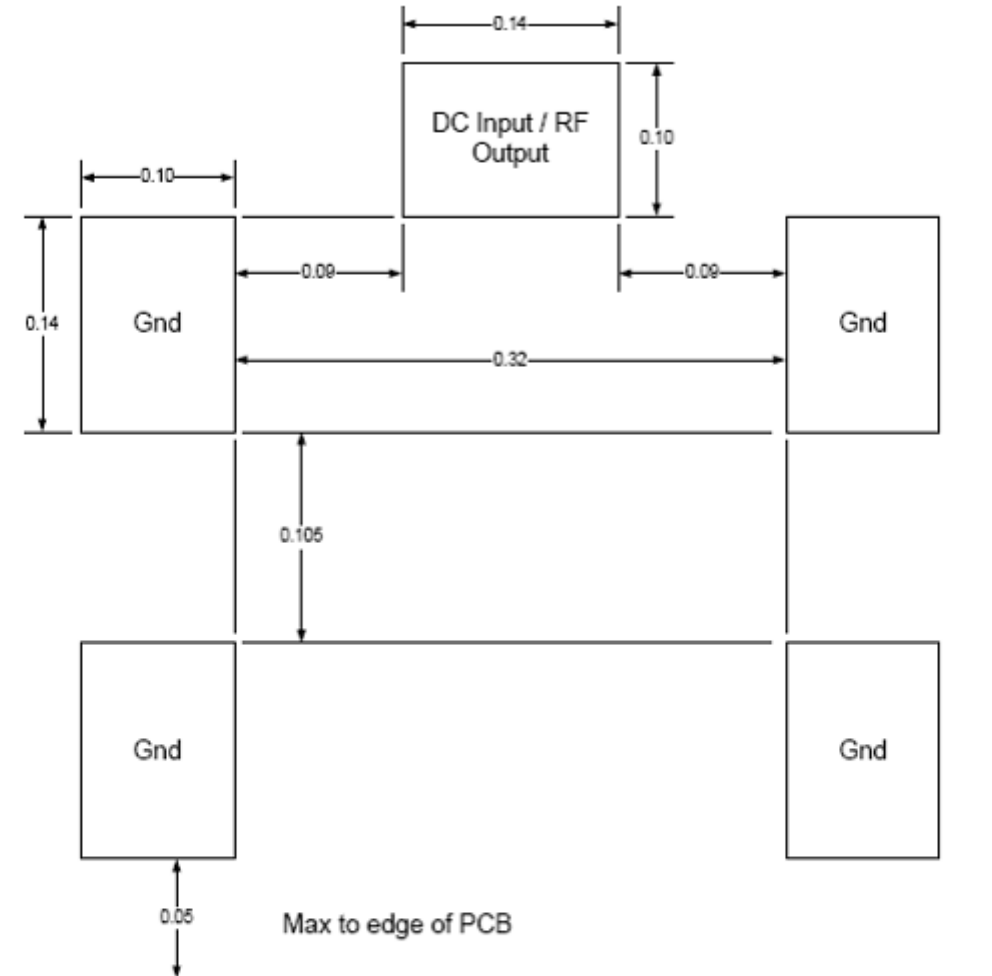
gdh



JDGA

GPS antennas for demanding requirements

Pad Layout



All Dimensions in
Inches

Quad V 14db

JDGA 1411 E Campbell Rd Richardson TX 75081 972-699-9976 972-699-9977 (fax)

www.idgagps.com