



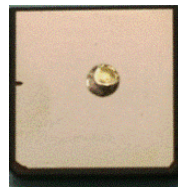
JDGA

GPS antennas for demanding requirements

JDGA Ceramic Patch SMT GPS Antenna

18 X 18 X 4mm

Available Frequencies 1576MHz to 1598MHz



Typical Electrical Properties

Center Frequency	1580MHz \pm 3.0MHz (50 X 50 ground plane)
Bandwidth	6.0MHz (min)
Return Loss	\leq -10dB
Gain @ zenith	+3.5dB (typ)
Gain @ 10° elevation	-4.0dB (typ)
Polarization	RHCP
Impedance	50 ohm
Frequency Temperature Coefficient	0 \pm 20ppm/C° (-40°C to 85°C)
Dielectric Constant K	37 \pm 2.5
Quality Factor, Q (=1/tan)	\geq 5000@9GHz
Temperature Coefficient of Resonant Frequency	0 \pm 20ppm/°C (-40°C to 85°C)

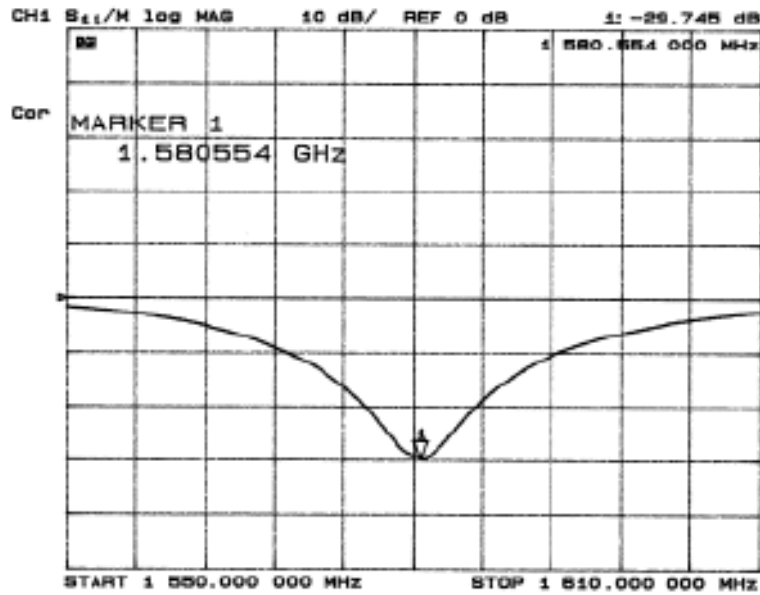




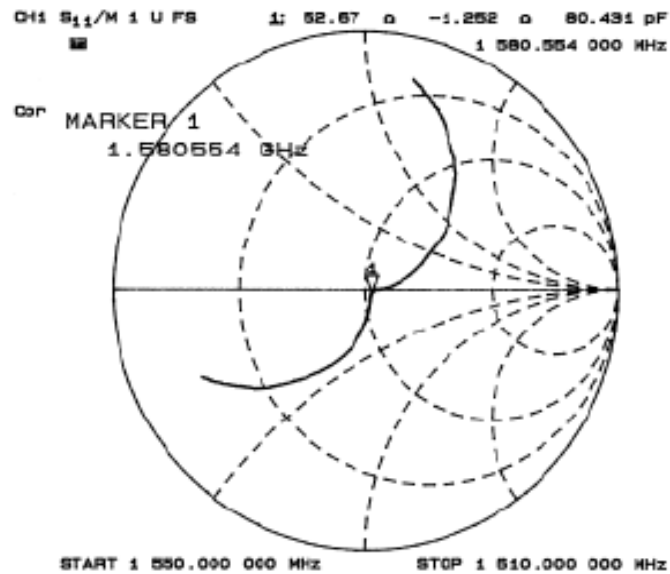
JDGA

GPS antennas for demanding requirements

Reflection Coefficient



Smith

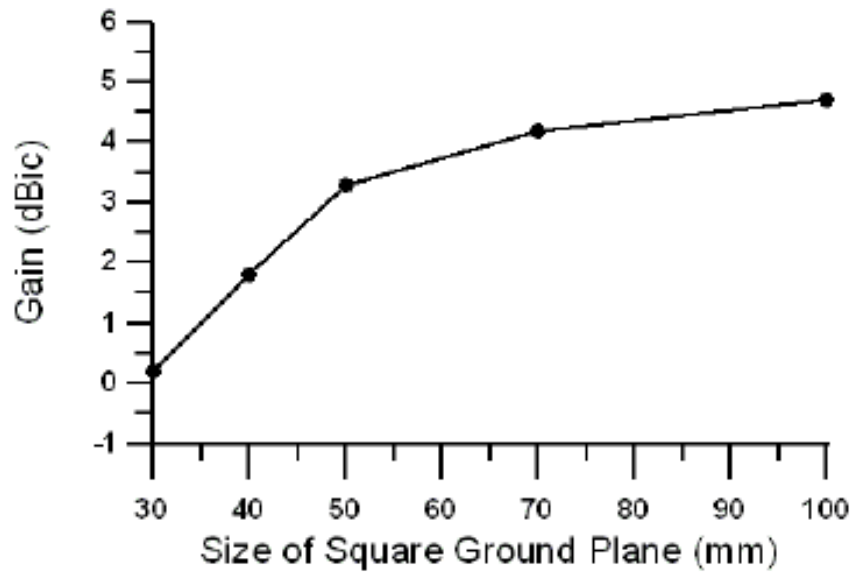




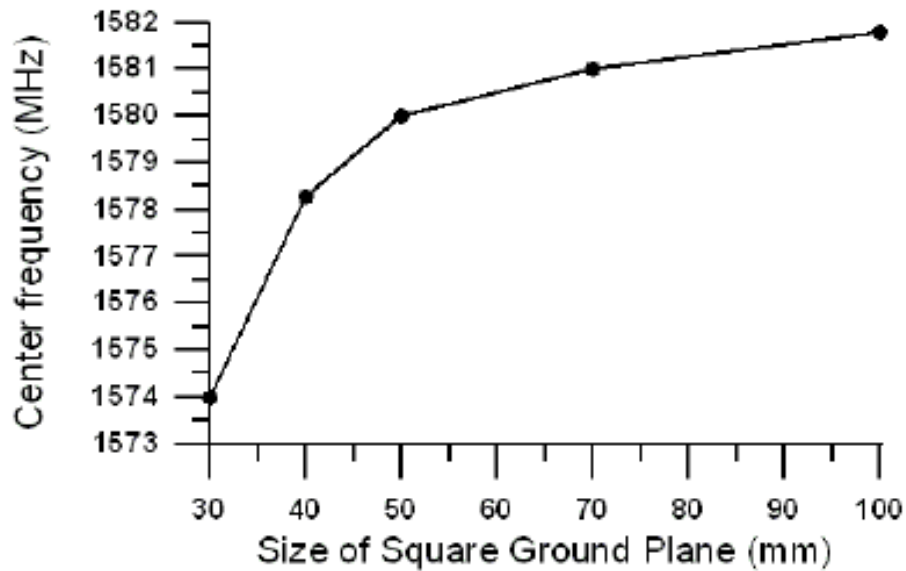
JDGA

GPS antennas for demanding requirements

Gain vs Ground Plane



Center Frequency vs Ground Plane

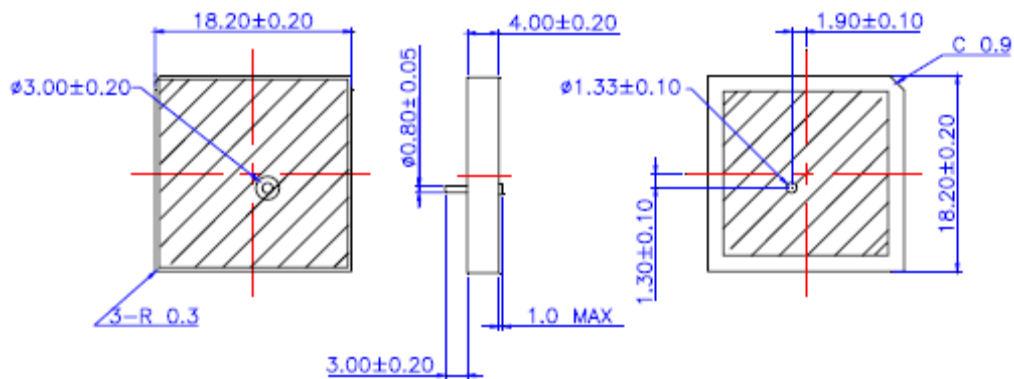




JDGA

GPS antennas for demanding requirements

Mechanical Dimensions



Unit : mm

PART NUMBERS	FREQUENCY MHz
G180476P	1576
G180478P	1578
G180480P	1580
G180482P	1582
G180484P	1584
G180486P	1586
G180488P	1588
G180490P	1590
G180492P	1592
G180494P	1594
G180496P	1596
G180498P	1598