



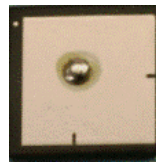
**JDGA**

**GPS antennas for demanding requirements**

**JDGA Ceramic Patch SMT GPS Antenna**

**18 X 18 X 2mm**

**Available Frequencies 1576MHz to 1598MHz**



**Typical Electrical Properties**

Center Frequency	1580MHz $\pm$ 3.0MHz (50 X 50 ground plane)
Bandwidth	6.0MHz (min)
Return Loss	$\leq$ -10dB
Gain @ zenith	+1.0dB (typ)
Gain @ 10° elevation	-5.5dB (typ)
Polarization	RHCP
Impedance	50 ohm
Frequency Temperature Coefficient	0 $\pm$ 20ppm/C° (-40°C to 85°C)
Dielectric Constant <b>K</b>	37 $\pm$ 2.5
Quality Factor, <b>Q</b> (=1/tan)	$\geq$ 5000@9GHz
Temperature Coefficient of Resonant Frequency	0 $\pm$ 20ppm/°C (-40°C to 85°C)

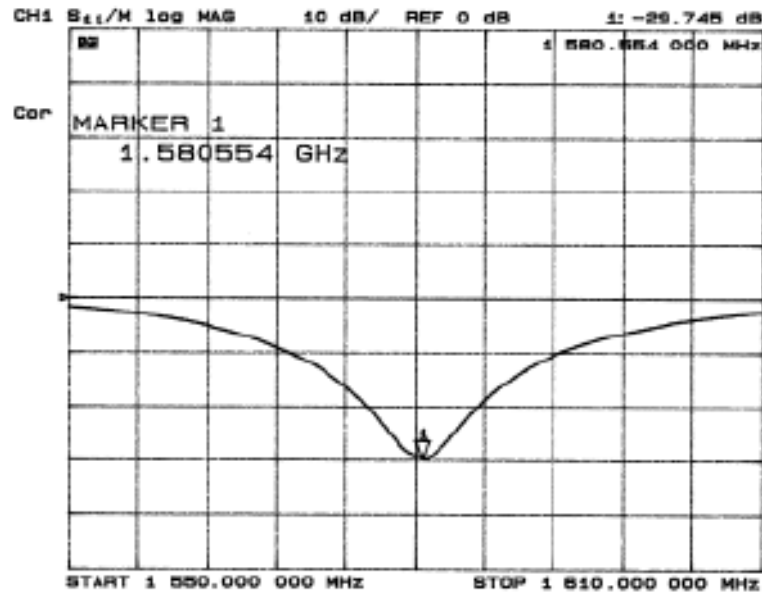




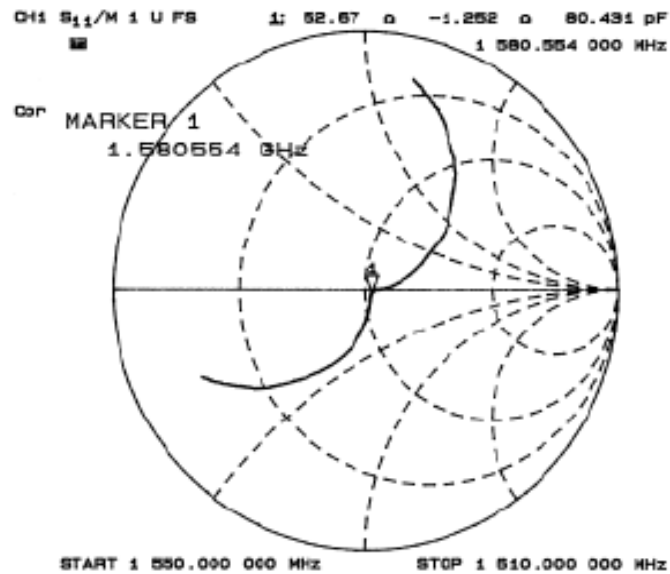
# JDGA

GPS antennas for demanding requirements

## Reflection Coefficient



## Smith

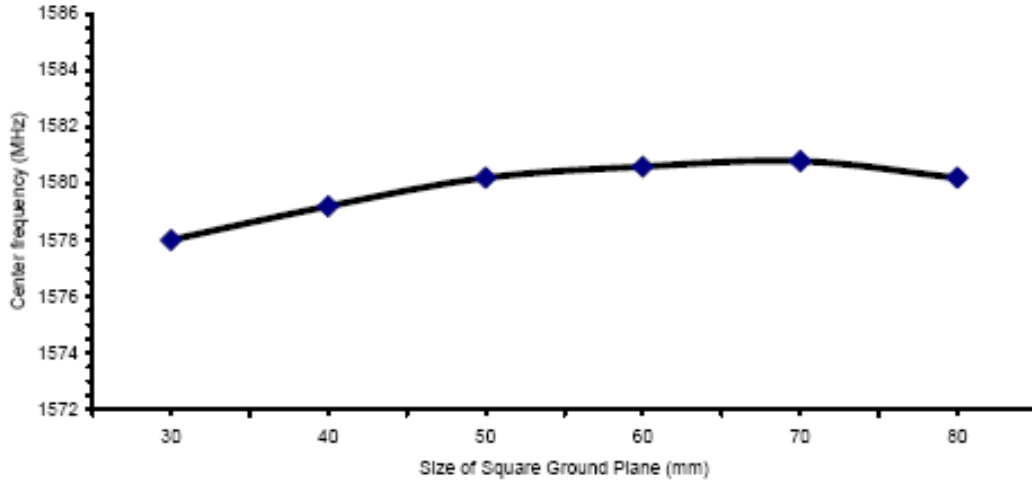




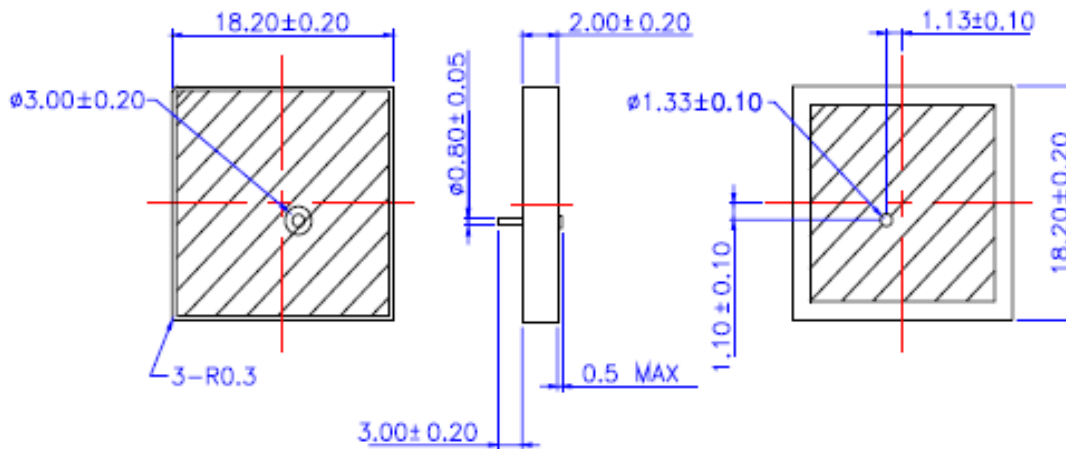
# JDGA

GPS antennas for demanding requirements

## Center Frequency vs Ground Plane



## Mechanical Dimensions



Unit : mm



**JDGA**

***GPS antennas for demanding requirements***

<b>PART NUMBERS</b>	<b>FREQUENCY MHz</b>
G180276P	1576
G180278P	1578
G180280P	1580
G180282P	1582
G180284P	1584
G180286P	1586
G180288P	1588
G180290P	1590
G180292P	1592
G180294P	1594
G180296P	1596
G180298P	1598