



JDGA

GPS antennas for demanding requirements

JDGA Ceramic Patch SMT GPS Antenna

15 X 15 X 2mm

Available Frequencies 1576MHz to 1598MHz



Typical Electrical Properties

Center Frequency	1582MHz \pm 3.0MHz (50 X 50 ground plane)
Bandwidth	5.0MHz (min)
Return Loss	\leq -10dB
Gain @ zenith	+1.0dB (typ)
Gain @ 10° elevation	-9.0dB (typ)
Polarization	RHCP
Impedance	50 ohm
Frequency Temperature Coefficient	0 \pm 20ppm/C° (-40°C to 85°C)
Dielectric Constant K	65 \pm 2.5
Quality Factor, Q (=1/tan)	\geq 5000@9GHz
Temperature Coefficient of Resonant Frequency	0 \pm 20ppm/°C (-40°C to 85°C)

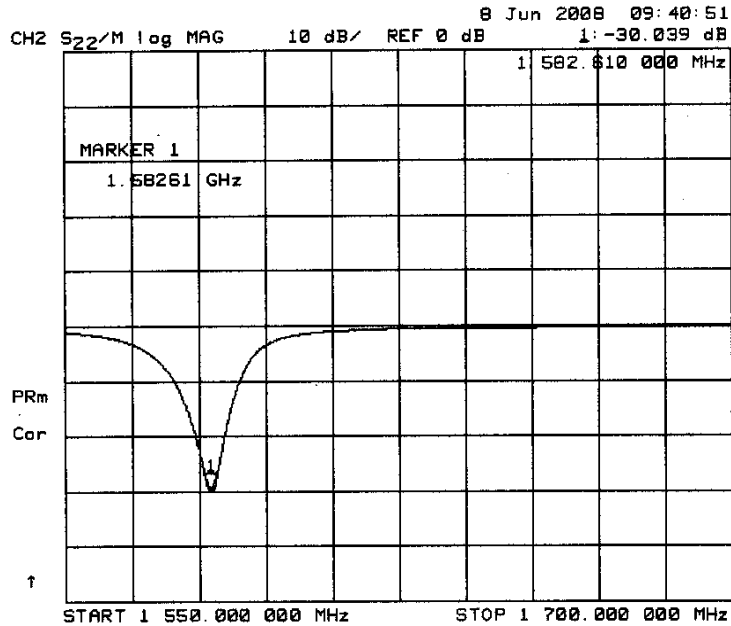




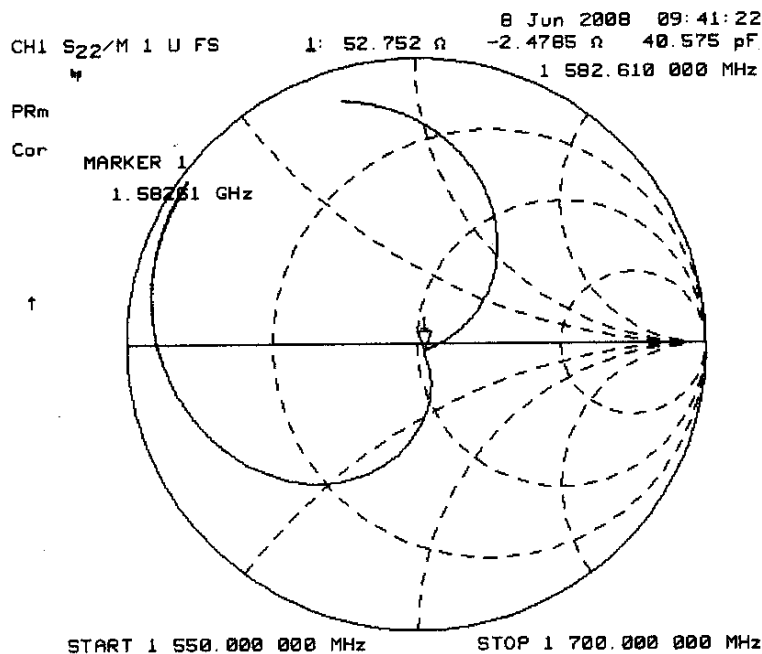
JDGA

GPS antennas for demanding requirements

Reflection Coefficient



Smith

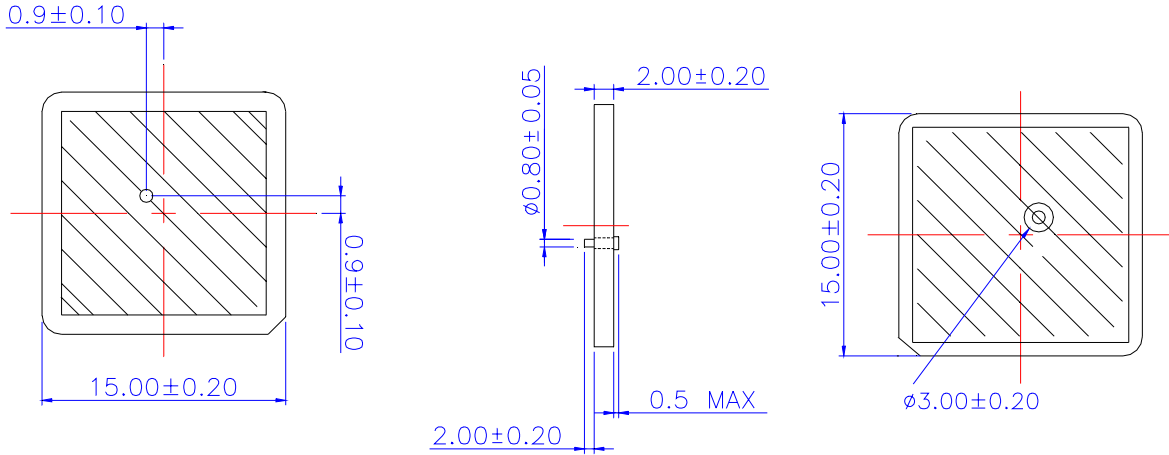




JDGA

GPS antennas for demanding requirements

Mechanical Dimensions



PART NUMBERS	FREQUENCY MHZ
G150276P	1576
G150278P	1578
G150280P	1580
G150282P	1582
G150284P	1584
G150286P	1586
G150288P	1588
G150290P	1590
G150292P	1592
G150294P	1594
G150296P	1596
G150298P	1598